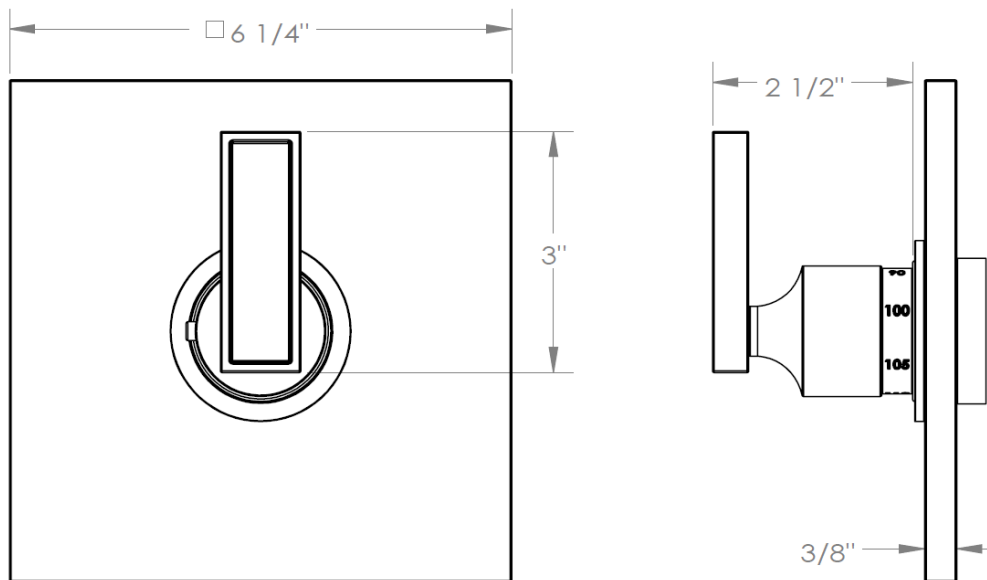


97-T10-J5

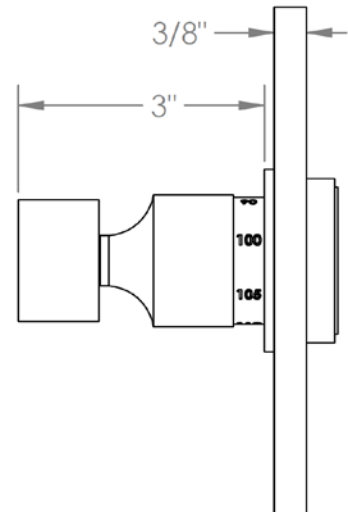
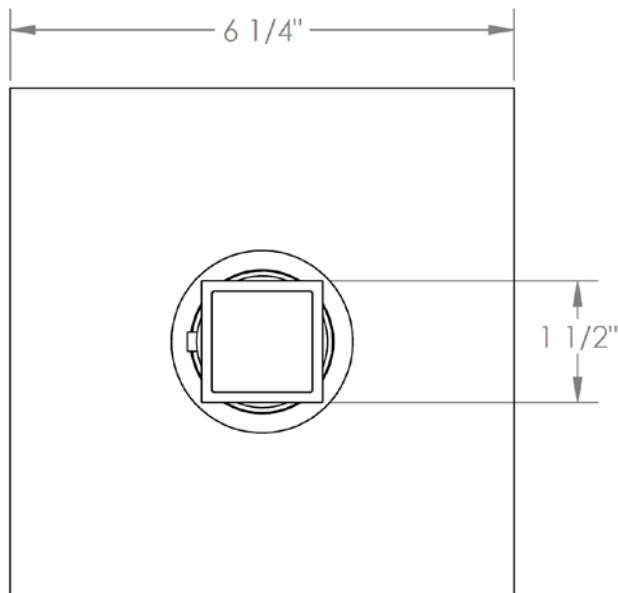
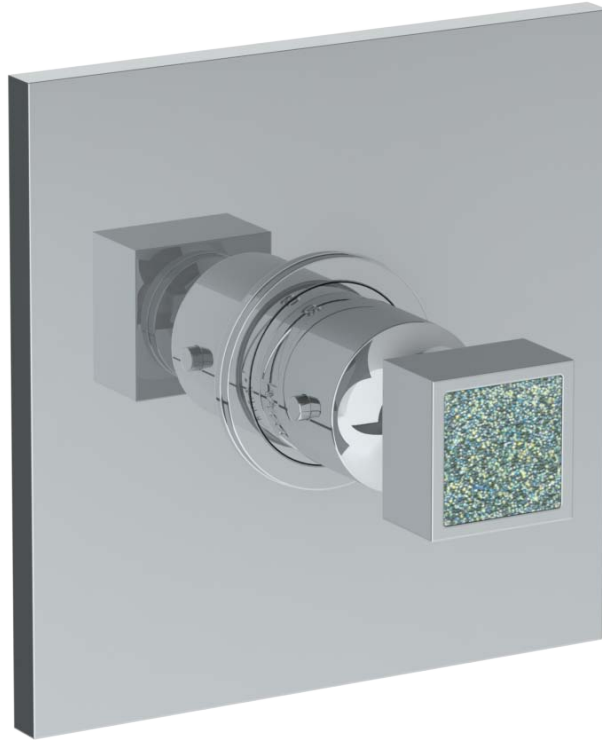
Trim Kit Only for Thermostatic Valve
Requires SS-TH1000 or SS-TH3000 Valve



97-T10-J6

Trim Kit for Thermostatic Valve

Requires SS-TH1000 or SS-TH3000 Valve



Meets the applicable requirements of ASME A112.18.1-2005/CSA B125.1-05, entitled "Plumbing Supply Fittings"

WATERMARK DESIGNS 2/7/2018

350 Dewitt Ave Brooklyn NY 11207 USA T 718 257 2800 F 718 257 2144 info@watermark-designs.com